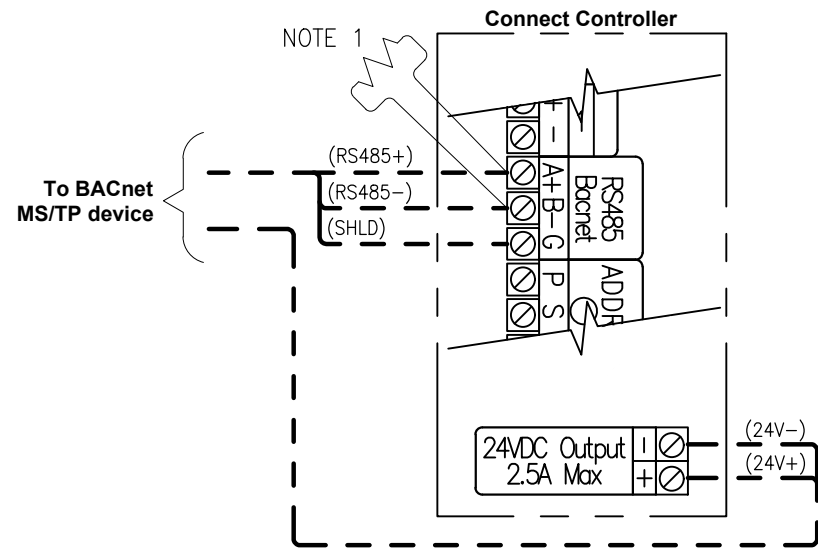
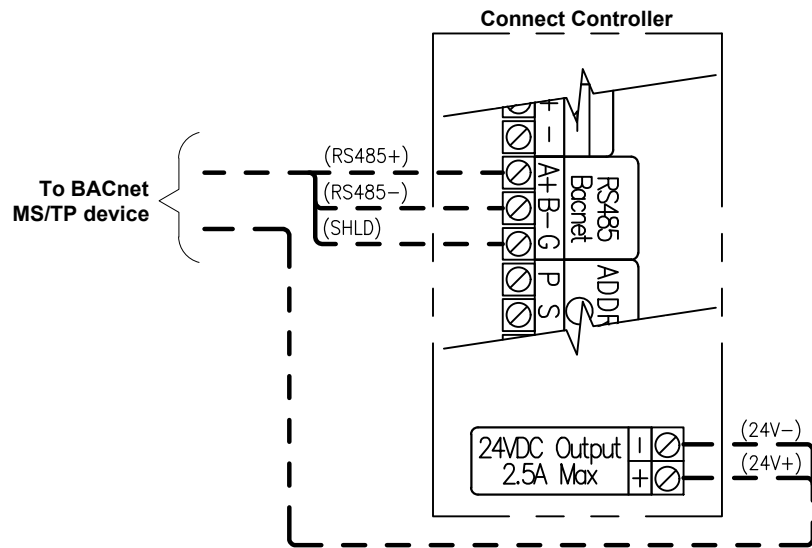




RS485 Bacnet Connect Controller Wiring w/o Resistor

RS485 Bacnet Connect Controller Wiring w/ Resistor



Notes:

- 1. 120 ohm 1/2 watt resistor used at start of MS/TP chain.