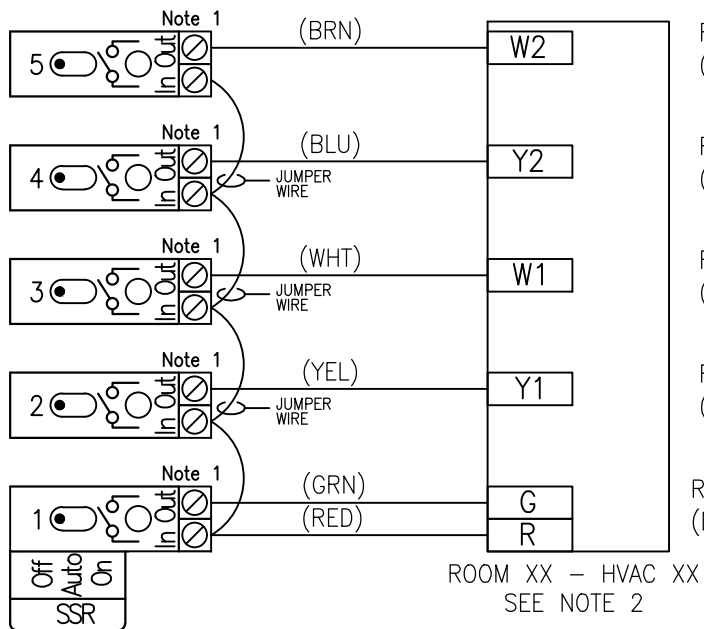


# HVAC DUAL COOLING & HEATING STAGE



ROOM XX - HVAC XX - HEATING STAGE 2  
(DRY CONTACT SEE NOTE 1)

ROOM XX - HVAC XX - COOLING STAGE 2  
(DRY CONTACT SEE NOTE 1)

ROOM XX - HVAC XX - HEATING STAGE 1  
(DRY CONTACT SEE NOTE 1)

ROOM XX - HVAC XX - COOLING STAGE 1  
(DRY CONTACT SEE NOTE 1)

ROOM XX - HVAC XX - FAN  
(DRY CONTACT SEE NOTE 1)

ROOM XX - HVAC XX  
SEE NOTE 2

## NOTES:

1. FOR ANY OUTPUT THAT REQUIRES A DRY CONTACT, REMOVE THE BLUE JUMPER FROM THAT OUTPUT.
2. HVAC WIRE COLORS AND TERMINAL ID'S ARE SHOWN AS INDUSTRY TYPICALS.