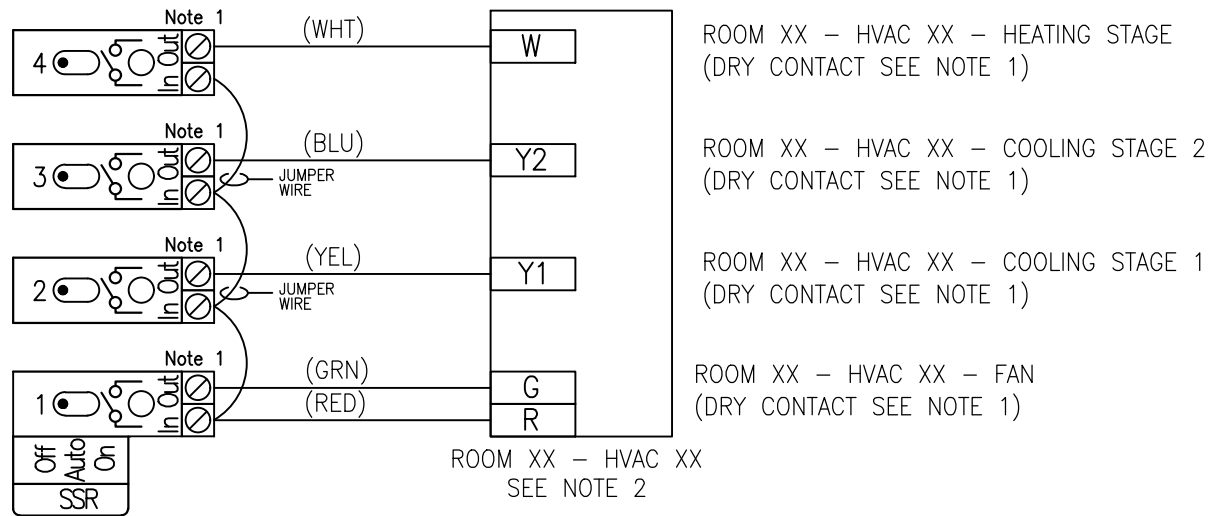


HVAC DUAL COOLING STAGE & SINGLE HEATING STAGE



NOTES:

1. FOR ANY OUTPUT THAT REQUIRES A DRY CONTACT, REMOVE THE BLUE JUMPER FROM THAT OUTPUT.
2. HVAC WIRE COLORS AND TERMINAL ID'S ARE SHOWN AS INDUSTRY TYPICALS.