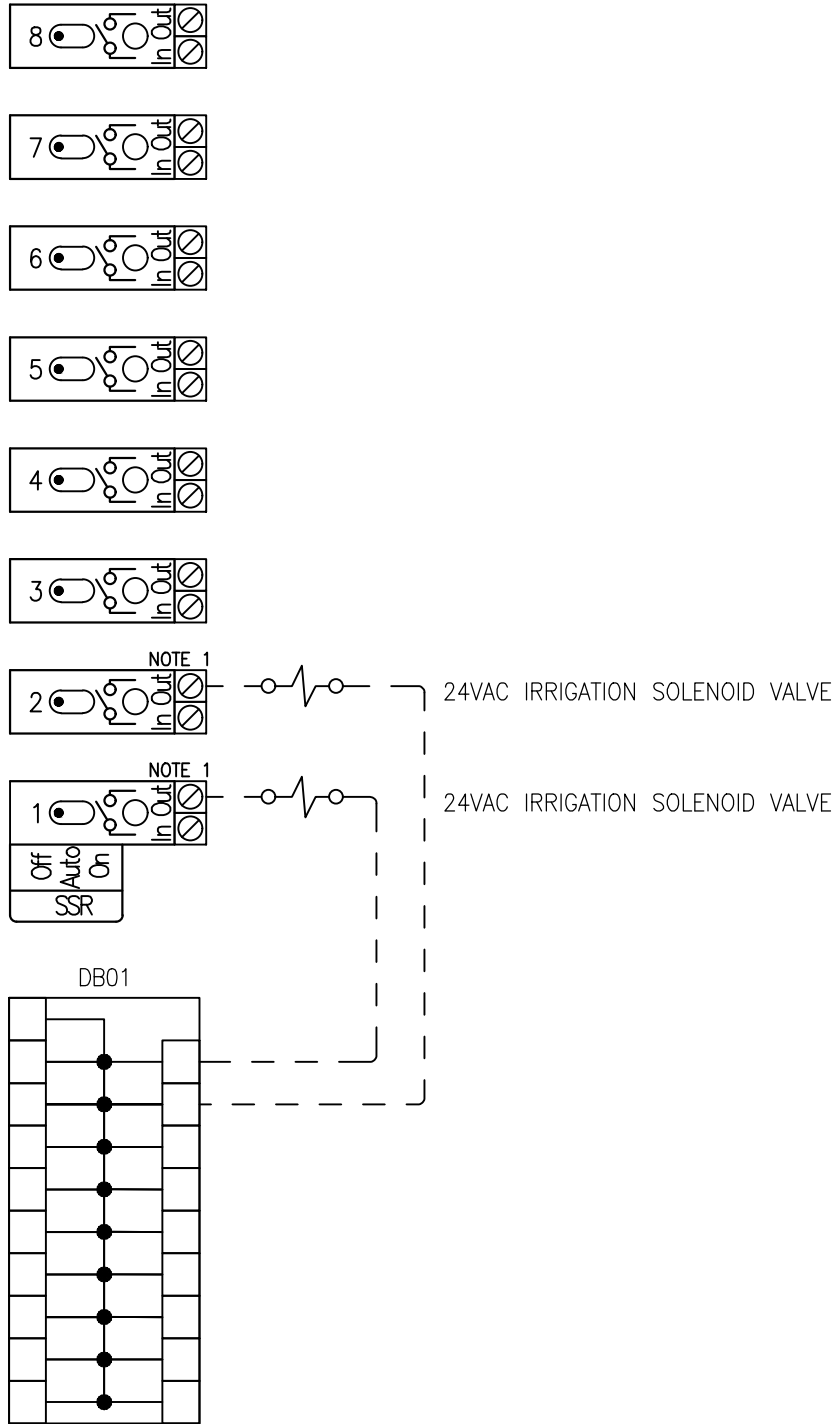


Output Wiring Onboard 24VAC 1-8: Device Option 1



GREY 19 CONNECTION 24VAC
DISTRIBUTION BLOCK (NEUTRAL)
LOCATED ON DIN RAIL IN POLYCASE

NOTES:

1. ENSURE BLUE JUMPER IS INSTALLED.