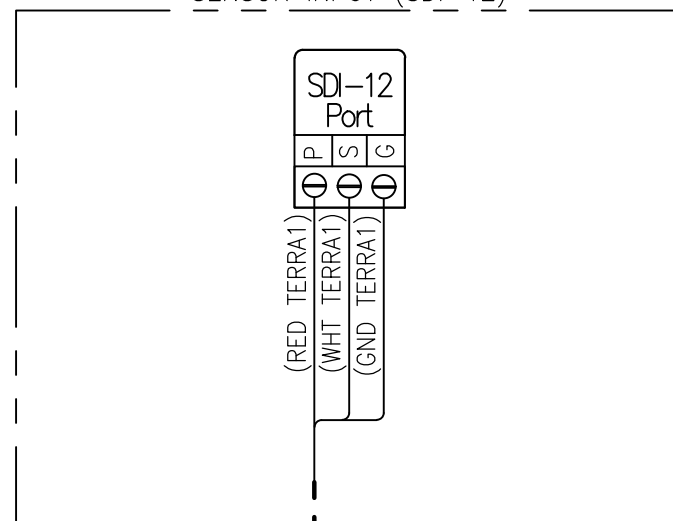
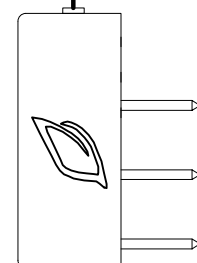


# TERRALINK WIRING DIAGRAM (TERRALINKS WIRED DIRECTLY TO CONNECT CONTROLLER)

CONNECT CONTROLLER  
SENSOR INPUT (SDI-12)



NOTE 1



CHANNEL 1  
TERRALINK 1  
ADDR.: 0

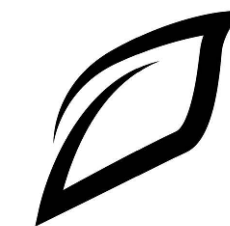
## LEGEND:

--- FIELD WIRING

## NOTES:

1. TERRALINK PROBES ARE CONNECTED DIRECTLY TO CHANNEL TERMINALS LOCATED ON THE CONNECT CONTROLLER.
2. ENSURE THERE IS NO EXPOSED COPPER OUTSIDE OF THE TERMINALS AS IT MAY LEAD TO A SHORT CIRCUIT.

1	UPDATED LABELS	JIB	01/24/24
0	ISSUED FOR CONSTRUCTION	JIB	09/06/23
REV:	DESCRIPTION:	BY:	DATE:
STATUS: FOR CONSTRUCTION			



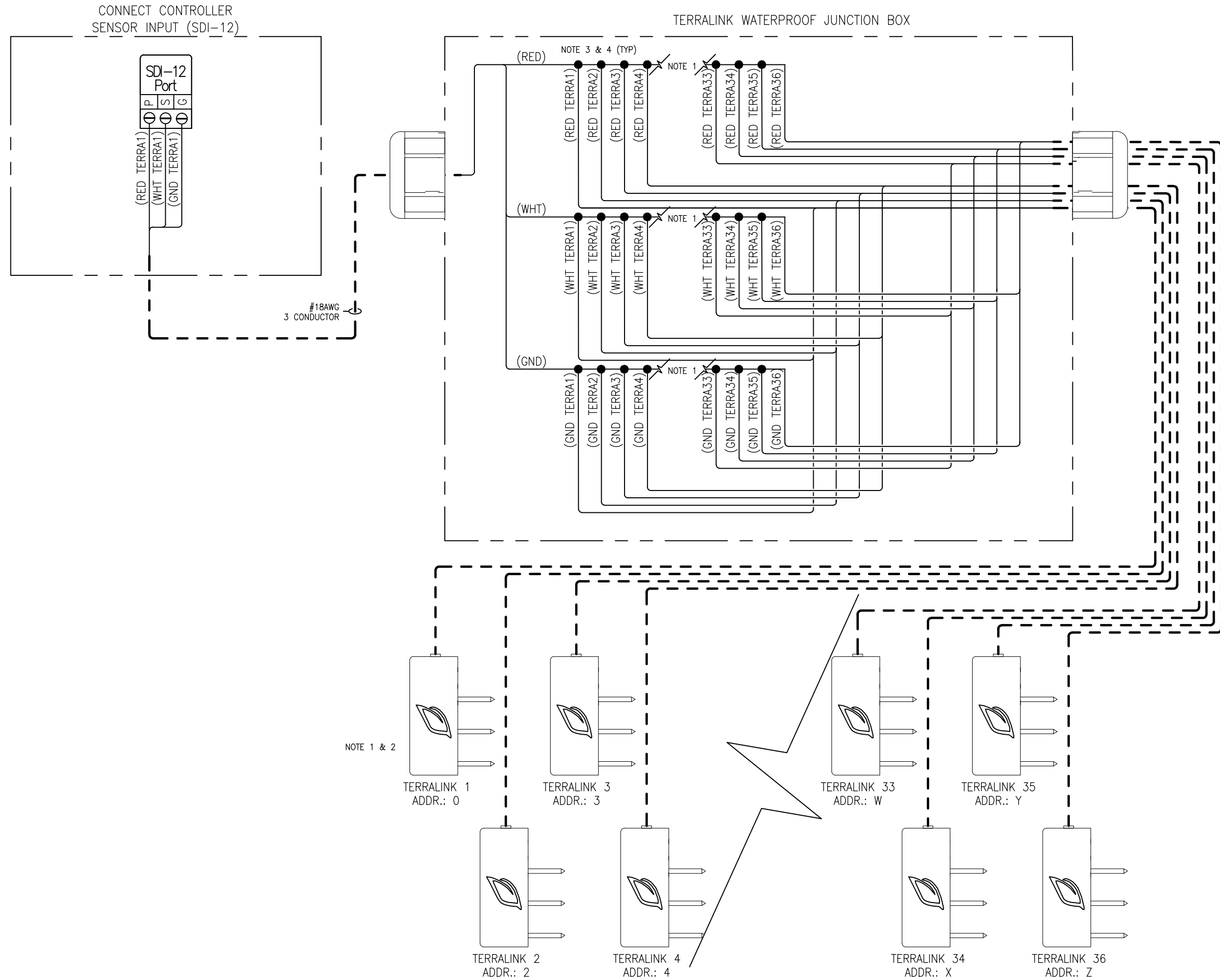
CLIENT:  
---

PANEL:  
---

TITLE: TERRALINK WIRING DIAGRAM  
TERRALINK WIRED DIRECT TO CONNECT CONTROLLER

REVISION:	DATE:	DRAWN:	SCALE:
1	01/24/24	GROWLINK	N.T.S
DRAWING NO:			PAGE:
CONNECT/TERRALINK			1

# TERRALINK WIRING DIAGRAM (SINGLE JUNCTION BOX W/ MULTIPLE TERRALINKS PER CHANNEL)



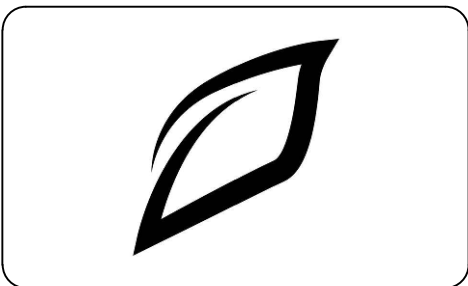
**LEGEND:**

--- FIELD WIRING

● CONNECTION POINT WITHIN JUNCTION BOX

- NOTES:**
1. A MAXIMUM OF 36 TERRALINK PROBES MAY BE USED PER CONNECT CONTROLLER. TERRALINK PROBES ARE ADDRESSED 0-9 THEN A-Z.
  2. THE TOTAL LENGTH FROM CONNECT CONTROLLER TO FURTHEST TERRALINK MUST NOT EXCEED 175FT AS IT MAY LEAD TO UNRELIABLE DATA TRANSMISSION.
  3. CONNECTIONS WITHIN THE JUNCTION BOX MAY BE WAGO CONNECTORS, WIRE NUTS, OR A SIMILAR SECURE WIRE CONNECTION METHOD.
  4. MAKE SURE TO KEEP WIRE COLOR AND POLARITY CONSISTENT THROUGHOUT THE ENTIRE CHAIN.

1	UPDATED LABELS	JIB 01/24/24
0	ISSUED FOR CONSTRUCTION	JIB 09/06/23
REV:	DESCRIPTION:	BY: DATE:
STATUS: FOR CONSTRUCTION		



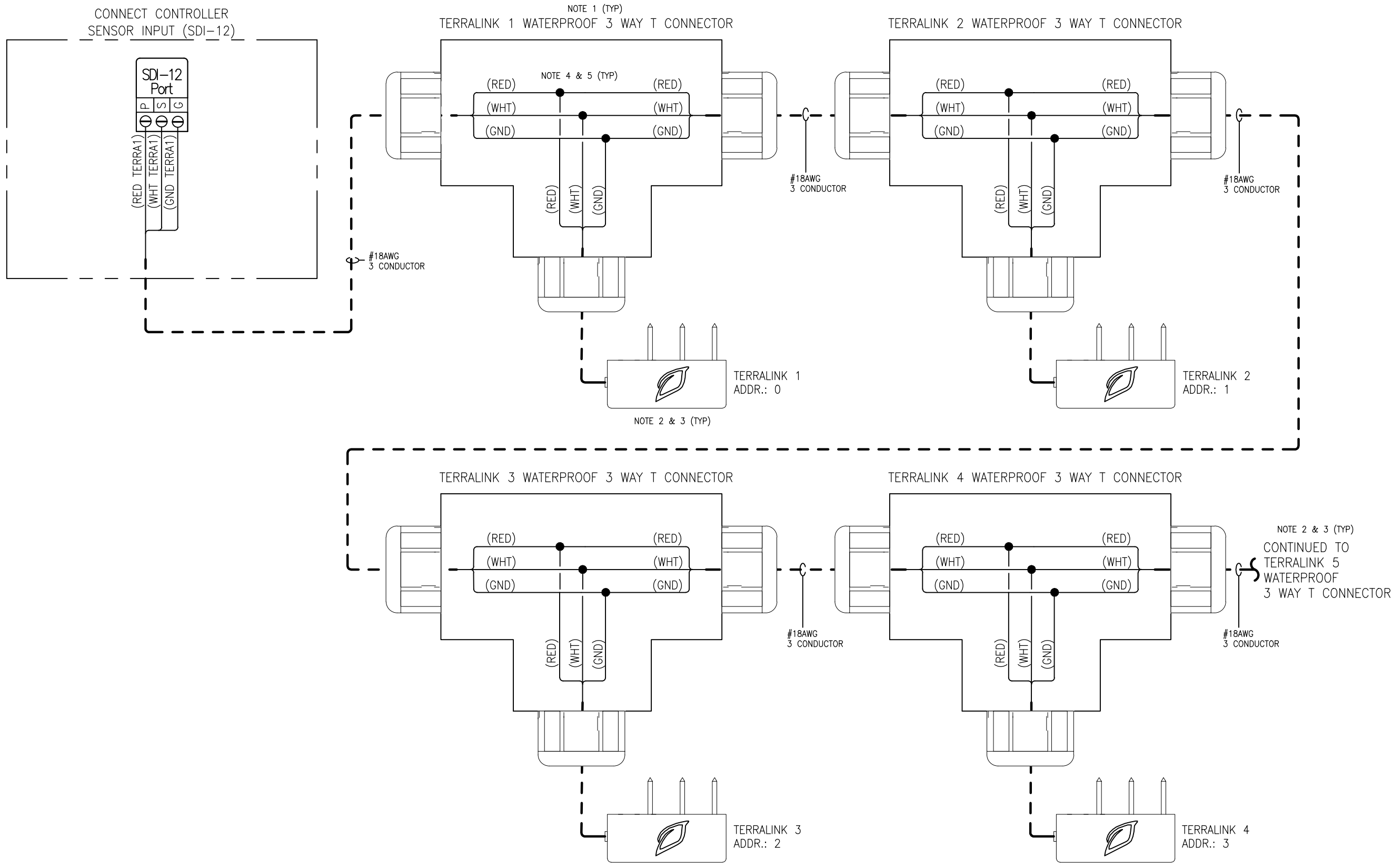
CLIENT: ---

PANEL: ---

TITLE: TERRALINK WIRING DIAGRAM  
SINGLE J-BOX W/ MULTIPLE TERRALINK

REVISION: 1	DATE: 01/24/24	DRAWN: GROWLINK	SCALE: N.T.S
DRAWING NO: CONNECT/TERRALINK			PAGE: 2

# TERRALINK WIRING DIAGRAM (DAISY CHAIN JUNCTION BOX W/ MULTIPLE TERRALINKS PER CHANNEL)



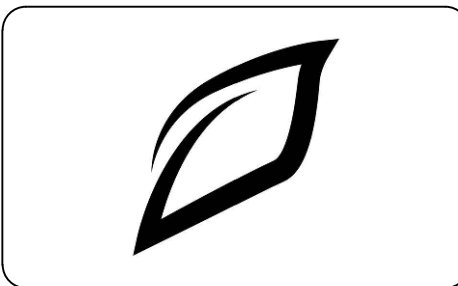
**LEGEND:**

--- FIELD WIRING

● CONNECTION POINT WITHIN JUNCTION BOX OR 3 WAY T CONNECTOR

- NOTES:**
- ONE WATERPROOF JUNCTION BOX OR WATERPROOF 3 WAY T CONNECTOR (SHOWN HERE) MAY BE USED PER TERRALINK PROBE.
  - A MAXIMUM OF 36 TERRALINK PROBES MAY BE USED PER CONNECT CONTROLLER. TERRALINK PROBES ARE ADDRESSED 0-9 THEN A-Z.
  - THE TOTAL LENGTH FROM CONNECT CONTROLLER TO FURTHEST TERRALINK MUST NOT EXCEED 175FT AS IT MAY LEAD TO UNRELIABLE DATA TRANSMISSION.
  - CONNECTIONS WITHIN THE JUNCTION BOX MAY BE WAGO CONNECTORS, WIRE NUTS, OR A SIMILAR SECURE WIRE CONNECTION METHOD.
  - MAKE SURE TO KEEP WIRE COLOR AND POLARITY CONSISTENT THROUGHOUT THE ENTIRE CHAIN.

1	UPDATED LABELS	JIB 01/24/24
0	ISSUED FOR CONSTRUCTION	JIB 09/06/23
REV:	DESCRIPTION:	BY:
STATUS:	FOR CONSTRUCTION	



CLIENT: ---

PANEL: ---

TITLE: TERRALINK WIRING DIAGRAM  
DAISY CHAIN W/ MULTIPLE TERRALINK

REVISION: 1	DATE: 01/24/24	DRAWN: GROWLINK	SCALE: N.T.S
DRAWING NO: CONNECT/TERRALINK			PAGE: 3