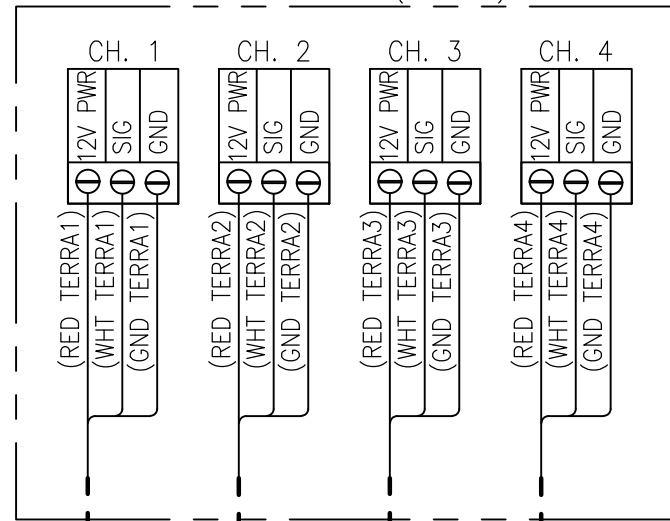
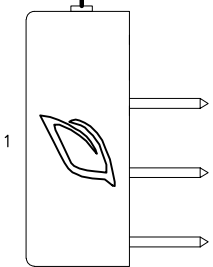


TERRALINK WIRING DIAGRAM (TERRALINKS WIRED DIRECTLY TO PIC)

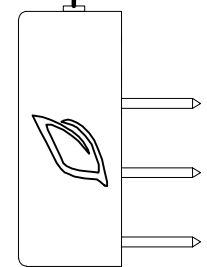
PRECISION IRRIGATION CONTROLLER SENSOR INPUT (SDI-12)



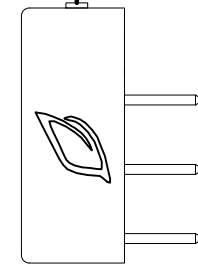
NOTE 1



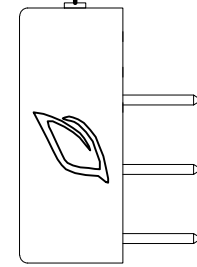
CHANNEL 1
TERRALINK 1
ADDR.: 0



CHANNEL 3
TERRALINK 1
ADDR.: 0



CHANNEL 2
TERRALINK 1
ADDR.: 0



CHANNEL 4
TERRALINK 1
ADDR.: 0

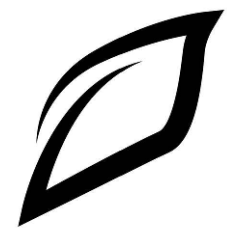
LEGEND:

--- FIELD WIRING

NOTES:

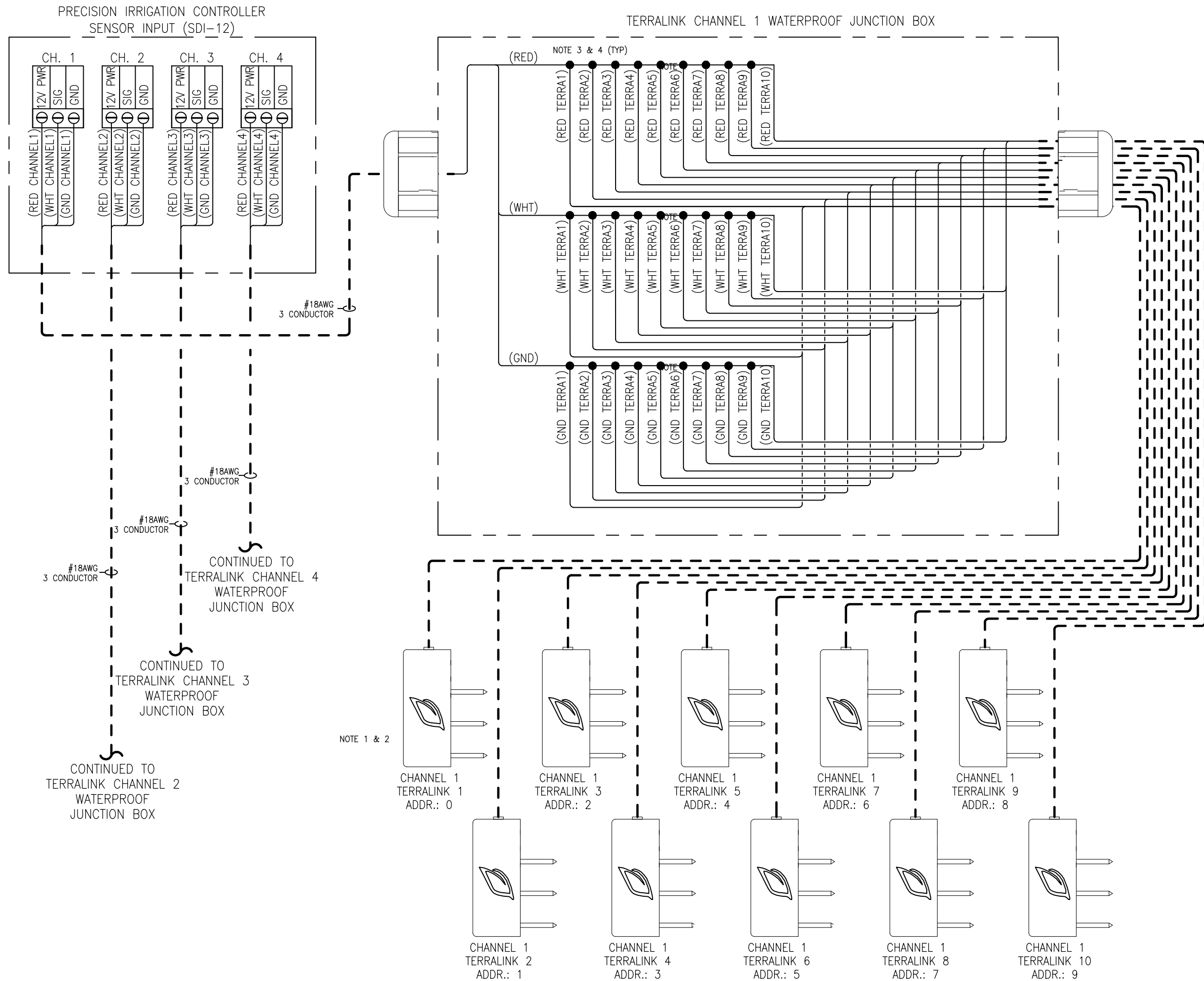
1. TERRALINK PROBES ARE CONNECTED DIRECTLY TO CHANNEL TERMINALS LOCATED IN THE PIC.
2. ENSURE THERE IS NO EXPOSED COPPER OUTSIDE OF THE TERMINALS AS IT MAY LEAD TO A SHORT CIRCUIT.

REV:	DESCRIPTION:	BY:	DATE:
1	UPDATED LABELS	JIB	01/24/24
0	ISSUED FOR CONSTRUCTION	JIB	09/06/23
STATUS: FOR CONSTRUCTION			



CLIENT: ---			
PANEL: ---			
TITLE: TERRALINK WIRING DIAGRAM TERRALINK WIRED DIRECT TO PIC			
REVISION: 1	DATE: 01/24/24	DRAWN: GROWLINK	SCALE: N.T.S
DRAWING NO: PIC/TERRALINK			PAGE: 1

TERRALINK WIRING DIAGRAM (SINGLE JUNCTION BOX W/ MULTIPLE TERRALINKS PER CHANNEL)



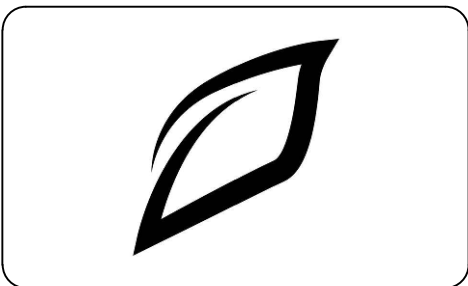
LEGEND:

--- FIELD WIRING

● CONNECTION POINT WITHIN JUNCTION BOX

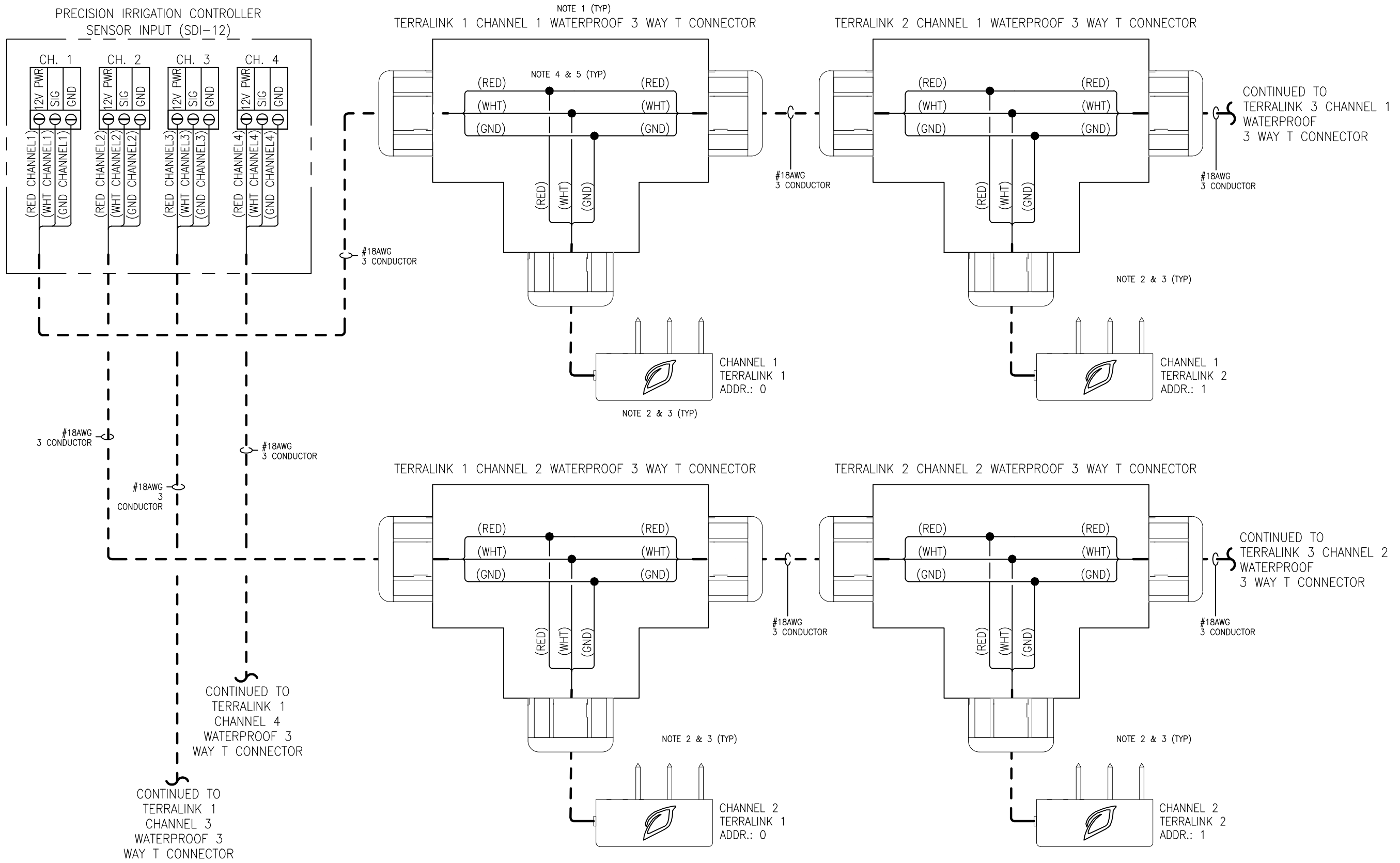
- NOTES:**
1. A MAXIMUM OF 10 TERRALINK PROBES MAY BE USED ON A SINGLE CHANNEL. TERRALINK PROBES ARE ADDRESSED 0-9. ENSURE ONLY ONE OF EACH ADDRESS IS INSTALLED PER PIC CHANNEL.
 2. THE TOTAL LENGTH FROM PIC TO FURTHEST TERRALINK MUST NOT EXCEED 175FT AS IT MAY LEAD TO UNRELIABLE DATA TRANSMISSION.
 3. CONNECTIONS WITHIN THE JUNCTION BOX MAY BE WAGO CONNECTORS, WIRE NUTS, OR A SIMILAR SECURE WIRE CONNECTION METHOD.
 4. MAKE SURE TO KEEP WIRE COLOR AND POLARITY CONSISTENT THROUGHOUT THE ENTIRE CHAIN.

1	UPDATED LABELS	JIB 01/24/24
0	ISSUED FOR CONSTRUCTION	JIB 09/06/23
REV:	DESCRIPTION:	BY: DATE:
STATUS: FOR CONSTRUCTION		



CLIENT:	---		
PANEL:	---		
TITLE: TERRALINK WIRING DIAGRAM SINGLE J-BOX W/ MULTIPLE TERRALINK			
REVISION: 1	DATE: 01/24/24	DRAWN: GROWLINK	SCALE: N.T.S
DRAWING NO: PIC/TERRALINK			PAGE: 2

TERRALINK WIRING DIAGRAM (DAISY CHAIN JUNCTION BOX W/ MULTIPLE TERRALINKS PER CHANNEL)



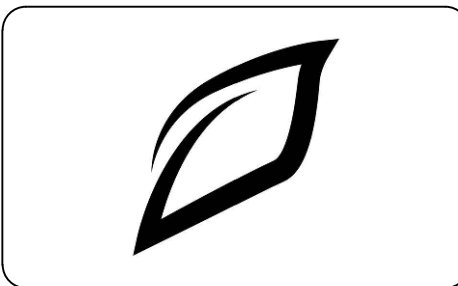
LEGEND:

--- FIELD WIRING

● CONNECTION POINT WITHIN JUNCTION BOX OR 3 WAY T CONNECTOR

- NOTES:**
- ONE WATERPROOF JUNCTION BOX OR WATERPROOF 3 WAY T CONNECTOR (SHOWN HERE) MAY BE USED PER TERRALINK PROBE.
 - A MAXIMUM OF 10 TERRALINK PROBES MAY BE USED ON A SINGLE CHANNEL. TERRALINK PROBES ARE ADDRESSED 0-9. ENSURE ONLY ONE OF EACH ADDRESS IS INSTALLED PER PIC CHANNEL.
 - THE TOTAL LENGTH FROM PIC TO FURTHEST TERRALINK MUST NOT EXCEED 175FT AS IT MAY LEAD TO UNRELIABLE DATA TRANSMISSION.
 - CONNECTIONS WITHIN THE JUNCTION BOX MAY BE WAGO CONNECTORS, WIRE NUTS, OR A SIMILAR SECURE WIRE CONNECTION METHOD.
 - MAKE SURE TO KEEP WIRE COLOR AND POLARITY CONSISTENT THROUGHOUT THE ENTIRE CHAIN.

1	UPDATED LABELS	JIB 01/24/24
0	ISSUED FOR CONSTRUCTION	JIB 09/06/23
REV:	DESCRIPTION:	BY: DATE:
STATUS: FOR CONSTRUCTION		



CLIENT: ---

PANEL: ---

TITLE: TERRALINK WIRING DIAGRAM
DAISY CHAIN W/ MULTIPLE TERRALINK

REVISION: 1	DATE: 01/24/24	DRAWN: GROWLINK	SCALE: N.T.S
DRAWING NO: PIC/TERRALINK			PAGE: 3